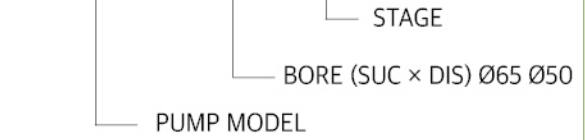


다단터빈 펌프



DMT 65 3^s



특성

적용규격

- KSB7505(한국표준공업규격) 소형 다단식원심 펌프

특성

- 부품의 표준화로 최대의 호환성 유지
- 종전의 Volute 형식에서 Turbine 형식으로 개선하여 유량양정의 범위를 넓게하고 효율 개선
- 액질의 종류에 따른 특수재질 사용 가능(SUS, SC, CAC406)
- 용도에 따른 M/Seal, Packing 사용 가능
- Ball Bearing의 사용으로 Balance 유지 및 수명 연장

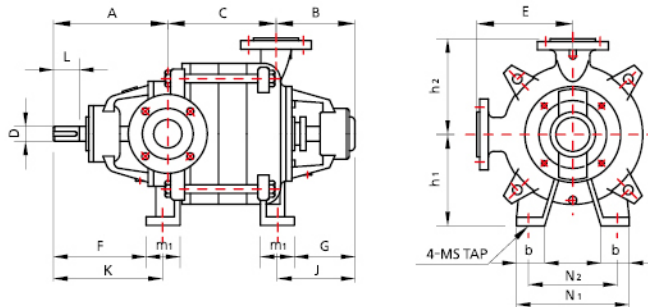
용도

- 스프링쿨러
- 옥내·외 소화전
- 연결 송수관
- 급수용

표준사양

항목	내용	
유량범위(m ³ /min)	0.13 ~ 6.0	
양정범위(m)	20 ~ 200	
사용온도범위(°C)	청수 0 ~ 90	
허용압력(Kgf/cm ²)	10, 20	
회전수(rpm)	1750	
회전방향	CW	
최대흡입양정(m)	-6 ~ -7 (20°C 기준)	
플랜지 (FLANGE)	Rating	KS10Kgf/cm ² , KS20Kgf/cm ²
	Facing	RF
구조	임펠러	CLOSE
	패킹부	GLAND/P, M/Seal
	베어링형식	Ball B/R
플랜지 위치	흡입플랜지	SIDE
	토출플랜지	TOP

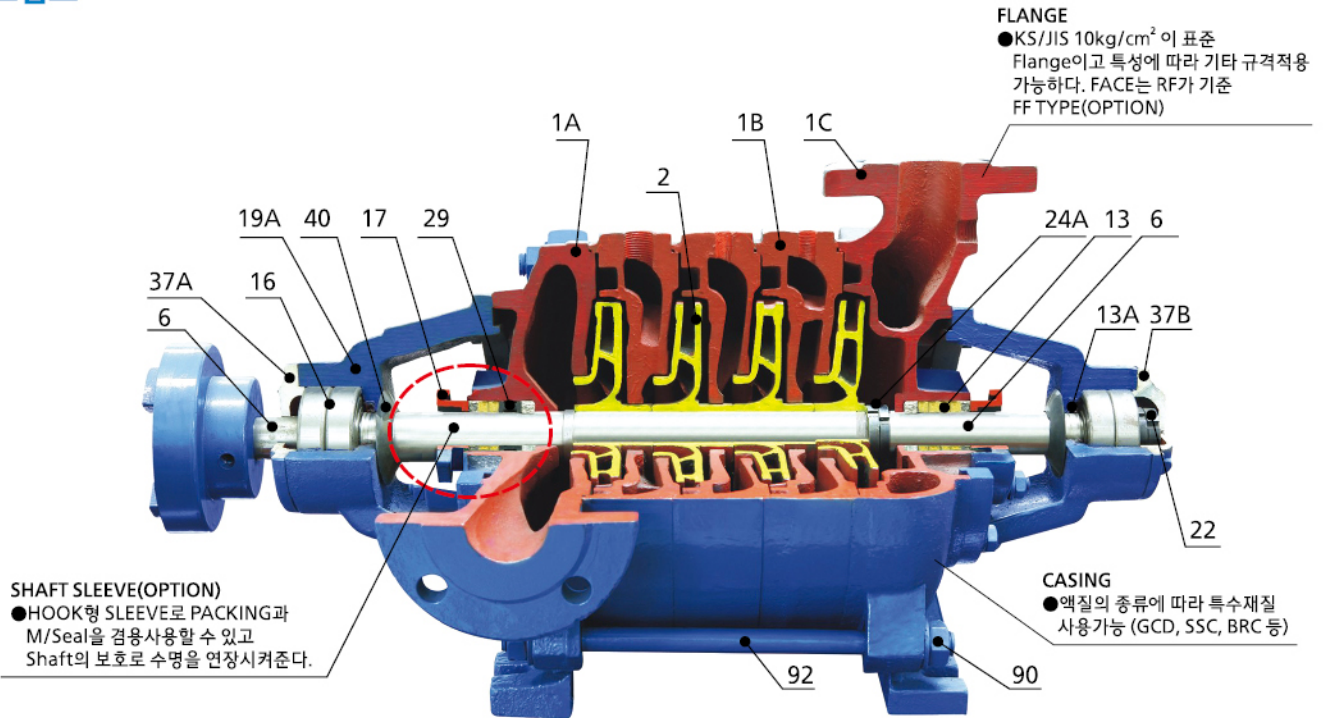
외형치수도



제품명	P U M P														SHAFT	
	A	B	F	K	G	J	E	N ₁	N ₂	m ₁	B	h ₁	h ₂	S	D	L
40, 50	234	167	209	229	148	168	185	200	160	50	50	160	185	10	28	50
65	252	176	224	244	155	175	205	240	190	60	55	180	205	12	32	60
80	263	175	237	257	155	175	220	240	190	60	55	180	220	12	32	70
100(L)	281	196	248	273	159	184	250	280	220	70	70	215	250	16	36	80
100H(LH)	281	196	259	284	164	189	280	330	270	70	80	225	280	16	36	80
125(L)	302	195	274	299	169	194	280	320	270	75	75	240	280	16	44	80
125H(LH)	302	195	273	303	170	200	310	360	300	80	85	250	310	16	44	80
150	325	215	290	320	175	205	320	360	300	80	80	270	320	18	48	90
150H	325	215	306	336	214	244	340	410	340	80	90	280	340	18	48	90
150L	402	275	315	330	198	218	350	450	370	85	90	290	350	18	48	100

제품명	SUCTION DIA	DISCHARGE DIA	STAGE에 따른 C치수										ONE STAGE
			2	3	4	5	6	7	8	9	10		
40, 50	50	40	156	211	266	321	376	431	486	541	596	55	
65	65	50	148	240	302	364	426	488	550			62	
80	80	65	199	268	337	406	475	544				69	
100(L, H, LH)	100	80	207	287	367	447	527	607	687			80	
125(L, H, LH)	125	100	248	338	428	518	608	698				90	
150(H)	150	125	265	370	475	580						105	
150L	150	125	263	383	503							120	

조립도



■축봉장치의 종류 및 특징

(STANDARD) PACKING TYPE	(OPTION) M/SEAL TYPE(MIU)	(OPTION) M/SEAL TYPE(CIU)
<p>17 29 13</p>	<p>65/80 17A</p>	<p>65/80 17A</p>
<p>특징: · 비용이 저렴하고 하자요인이 적다. · 약간의 누수 현상이 발생한다. · 수리가 쉽다.</p>	<p>특징: · 누수현상이 없다. · 고속회전에서 안정성 우수하다. · 장착거리가 예민하다. · PACKING TYPE 보다 비용이 많이 발생한다. · 유체없이 공회전시 파손된다.</p>	<p>특징: · 누수현상이 없다. · 슬러지가 있는 환경 또는 점도가 높은 유체에 적합하다. · 장착거리가 MIU타입에 비하여 덜 예민하다. · PACKING TYPE 보다 비용이 많이 발생한다. · 유체없이 공회전시 파손된다.</p>

※ 위 M/SEAL 의 종류 및 재질은 가장 일반적인 것으로 특수한 쉘의 사용을 요구시 문의 하시기 바랍니다.

NAME OF PART & MATERIAL

NO	NAME OF PART	MATERIAL		
		CLASS 1	CLASS 2	CLASS 3
1A	SUCTION CASING	GC200	SSC13	SSC14
1B	STAGE CASING	GC200	SSC13	SSC14
1C	DISCHARGE CASING	GC200	SSC13	SSC14
2	IMPELLER	GC200	SSC13	SSC14
6	SHAFT	SM45C	STS304	STS316
13	PACKING	TEFLON	TEFLON	TEFLON
13A	OIL SEAL	NBR	NBR	NBR
16	INBOARD BEARING	STEEL	STEEL	STEEL
17	PACKING GLAND	GC200	SSC13	SSC14
17A	MECHANICAL SEAL COVER	GC200	GC200	GC200

NO	NAME OF PART	MATERIAL		
		CLASS 1	CLASS 2	CLASS 3
19A	BEARING HOUSING	GC200	GC200	GC200
22	BEARING LOCK NUT	SM45C	SM45C	SM45C
24A	IMPELLER LOCK NUT	SM45C	STS304	STS316
29	LANTERN RING	SSC13	SSC13	SSC13
37A	BEARING COVER (IN)	GC200	GC200	GC200
37B	BEARING COVER (OUT)	GC200	GC200	GC200
40	DEFLECTOR	RUBBER	RUBBER	RUBBER
65/80	MECHANICAL SEAL	TC/CA	TC/TC	SIC/SIC
90	NUT	SM45C	STS304	STS316
92	ASSEMBLY BOLT	SM45C	STS304	STS316

표준사양

MODEL	BORE (SUC*DIS)	SPECIFICATION Q(m³/min)*H(M)*P(kW)	CASING THICKNESS	IMPELLER D2(외경)	STUFFING BOX PACKING SIZE	B/R HOUSING BEARING NO #	SHAFT M/SEAL DIA(IN*OUT)	GROUP
DMT 40 50x40	2	0.2 x 20 x 3.7	φ190	5/16	5/16	#6306	φ35x51 φ30x46	
	3	0.2 x 35 x 3.7						
	4	0.2 x 50 x 5.5						
	5	0.2 x 60 x 5.5						
	6	0.2 x 75 x 7.5						
	7	0.2 x 85 x 7.5						
	8	0.2 x 100 x 11						
	9	0.2 x 110 x 11						
	10	0.2 x 125 x 11						
	DMT 50 50x40	2						
3		0.35 x 35 x 5.5						
4		0.35 x 45 x 7.5						
5		0.35 x 55 x 7.5						
6		0.35 x 65 x 11						
7		0.35 x 80 x 11						
8		0.35 x 90 x 15						
9		0.35 x 100 x 15						
10		0.35 x 115 x 18.5						
DMT 65 65x50		2	0.45 x 30 x 5.5	φ205	3/8	5/16	#6307	φ40x60 φ35x51
	3	0.45 x 50 x 7.5						
	4	0.45 x 65 x 11						
	5	0.45 x 80 x 15						
	6	0.45 x 100 x 15						
	7	0.45 x 115 x 18.5						
	8	0.45 x 130 x 22						
	DMT 80 80x65	2	0.75 x 35 x 11					
3		0.75 x 50 x 11						
4		0.75 x 70 x 18.5						
5		0.75 x 85 x 22						
6		0.75 x 105 x 30						
7		0.75 x 125 x 30						
DMT 100 100x80 DMTH 100 100x80		2	0.9 x 55 x 15	φ255	3/8	DMT(DMTL)	3/8	φ45x65 φ40x60
	3	0.9 x 80 x 30						
	4	0.9 x 110 x 37						
	5	0.9 x 135 x 45						
	6	0.9 x 165 x 55						
	7	0.9 x 190 x 75						
	8	0.9 x 220 x 75						

MODEL	BORE (SUC*DIS)	SPECIFICATION Q(m³/min)*H(M)*P(kW)	CASING THICKNESS	IMPELLER D2(외경)	STUFFING BOX PACKING SIZE	B/R HOUSING BEARING NO #	SHAFT M/SEAL DIA(IN*OUT)	GROUP
DMT 100L	100x80	2 1.2 x 50 x 18.5	φ255	DMT(DMTL)	3/8	#6308(D)	#7307(D)	φ45x65 φ40x60
100x80		3 1.2 x 80 x 30						
100x80		4 1.2 x 105 x 37						
DMTH 100L		5 1.2 x 130 x 45						
100x80		6 1.2 x 160 x 55						
100x80		7 1.2 x 180 x 75						
100x80		8 1.2 x 210 x 75						
DMT 125		125x100						
125x100	3 1.6 x 95 x 45							
DMTH 125	4 1.6 x 130 x 75							
125x100	5 1.6 x 165 x 90							
125x100	6 1.6 x 190 x 110							
125x100	7 1.6 x 220 x 110							
DMTH 125L	125x100		2 1.86 x 70 x 45	φ285	DMTH(DMTLH)	3/8	#6309(D)	#7308(D)
125x100		3 1.86 x 105 x 75						
DMTH 125L		4 1.86 x 140 x 75						
125x100		5 1.86 x 180 x 110						
125x100		6 1.86 x 210 x 132						
125x100		7 1.86 x 250 x 160						
DMT 125L		125x100	2 2.66 x 75 x 55					
125x100	3 2.66 x 110 x 90							
DMTH 125L	4 2.66 x 140 x 110							
125x100	5 2.66 x 170 x 132							
125x100	6 2.66 x 200 x 160							
125x100	DMTH(DMTLH)							
DMTL 150	150x125	2 3.6 x 80 x 90	φ320	DMTL	1/2	#6310(D)	#7310(D)	φ60x85 φ60x85
150x125		3 3.6 x 125 x 132						
150x125		4 3.6 x 165 x 185						
DMTL 200	200x150	2 6 x 105 x 160	φ360	DMTL	5/8	#6312(D)	#7312(D)	φ80x110 φ80x110
200x150		3 6 x 155 x 260						

산업용 펌프

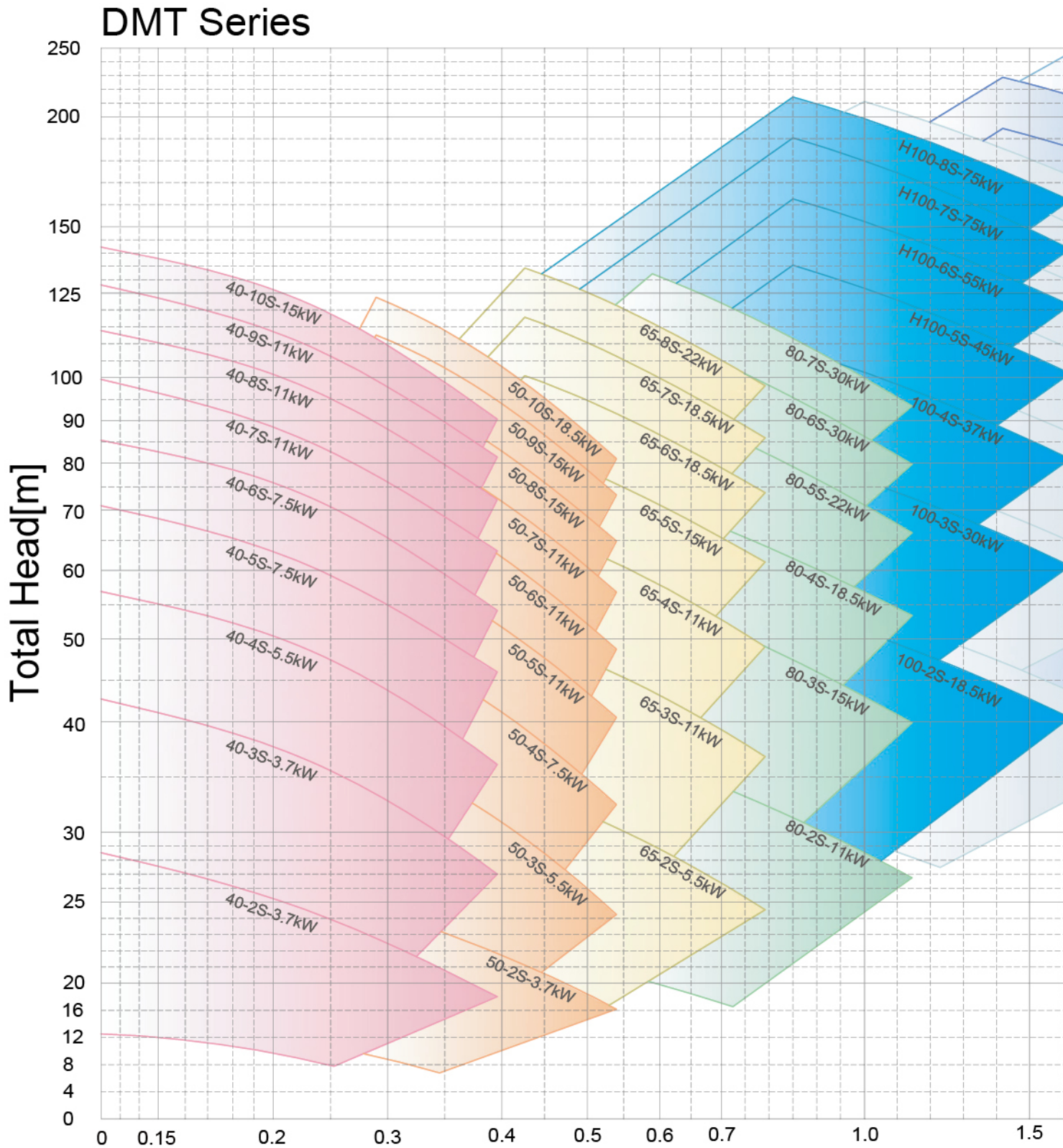
동원펌프(주) 소방용 펌프 표준 선정표

H Q	150%	0.195	0.225	0.3	0.39	0.45	0.525	0.6	0.675	0.75	0.9	1.05	1.125	1.2	1.35	1.5	1.8	2.1
	100%	0.13	0.15	0.2	0.26	0.3	0.35	0.4	0.45	0.5	0.6	0.7	0.75	0.8	0.9	1	1.2	1.4
250	350																	
	163																	
240	336																	
	156																	
230	322																	125H-75
	150																	150HP
220	308											100H-85	100H-85	100H-85	100H-85	100LH-85		125H-75
	143											100HP	100HP	100HP	100HP	100HP		150HP
210	294											100H-85	100H-85	100H-85	100H-85	100LH-85	100LH-85	125H-75
	137											100HP	100HP	100HP	100HP	100HP	100HP	150HP
200	280											100H-75	100H-85	100H-85	100H-85	100LH-85	100LH-85	125H-65
	130											75HP	100HP	100HP	100HP	100HP	100HP	150HP
190	266											100H-75	100H-75	100H-75	100H-75	100LH-75	100LH-85	125H-65
	124											75HP	75HP	75HP	100HP	100HP	100HP	120HP
180	252											100H-75	100H-75	100H-75	100H-75	100LH-75	100LH-75	125H-65
	117											75HP	75HP	75HP	75HP	100HP	100HP	120HP
170	238											100H-65	100H-65	100H-75	100H-75	100LH-75	100LH-75	125H-55
	111											60HP	75HP	75HP	75HP	75HP	100HP	120HP
165	231											100H-65	100H-65	100H-65	100H-65	100LH-65	100LH-75	125H-55
	107											60HP	75HP	75HP	75HP	75HP	75HP	120HP
160	224											100H-65	100H-65	100H-65	100H-65	100LH-65	100LH-65	125H-55
	104											60HP	75HP	75HP	75HP	75HP	75HP	120HP
155	217											100H-65	100H-65	100H-65	100H-65	100LH-65	100LH-65	125H-55
	101											60HP	60HP	60HP	75HP	75HP	75HP	100HP
150	210											100H-65	100H-65	100H-65	100H-65	100LH-65	100LH-65	125H-55
	98											60HP	60HP	60HP	75HP	75HP	75HP	100HP
145	203											100H-65	100H-65	100H-65	100H-65	100LH-65	100LH-65	125H-55
	94											60HP	60HP	60HP	60HP	60HP	75HP	100HP
140	196											100H-55	100H-55	100H-55	100H-65	100LH-65	100LH-65	125H-55
	91											60HP	60HP	60HP	60HP	60HP	75HP	100HP
135	189											65-85	65-85	80-75	80-75	100H-55	100H-55	125H-45
	88											25HP	30HP	40HP	40HP	50HP	60HP	100HP
130	182	40-105	40-105									65-85	65-85	65-85	65-85	80-75	80-75	125H-45
	85	15HP	15HP									25HP	30HP	30HP	40HP	40HP	40HP	100HP
125	175	40-105	40-105	40-105	50-105							65-85	65-85	65-85	80-75	80-75	100H-55	125H-45
	81	15HP	15HP	20HP	20HP							25HP	30HP	30HP	40HP	40HP	50HP	75HP
120	168	40-105	40-105	40-105	50-105	50-105	65-75	65-75	65-85	65-85	80-75	80-75	80-75	100H-55	100H-55	100LH-55	100LH-55	125H-45
	78	15HP	15HP	20HP	20HP	20HP	25HP	25HP	30HP	30HP	40HP	40HP	40HP	50HP	50HP	50HP	60HP	75HP
115	161	40-95	40-95	40-105	50-105	50-105	65-75	65-75	65-85	65-85	80-65	80-75	80-75	100H-55	100H-55	100LH-55	100LH-55	125H-45
	75	15HP	15HP	15HP	20HP	20HP	25HP	25HP	30HP	30HP	40HP	40HP	40HP	50HP	50HP	50HP	50HP	75HP
110	154	40-95	40-95	40-95	50-95	50-95	50-105	65-75	65-75	65-75	80-65	80-65	80-75	100H-45	100H-45	100LH-45	100LH-55	125H-45
	72	15HP	15HP	15HP	20HP	20HP	20HP	25HP	25HP	25HP	40HP	40HP	40HP	50HP	50HP	50HP	50HP	75HP
105	147	40-85	40-85	40-95	50-95	50-95	50-105	65-75	65-75	65-75	80-65	80-65	80-65	100H-45	100H-45	100LH-45	100LH-45	125H-45
	68	15HP	15HP	15HP	20HP	20HP	20HP	25HP	25HP	25HP	30HP	40HP	40HP	40HP	50HP	50HP	50HP	75HP
100	140	40-85	40-85	40-85	50-85	50-95	50-95	65-65	65-65	65-75	80-65	80-65	80-65	100H-45	100H-45	100LH-45	100LH-45	125-35
	65	15HP	15HP	15HP	20HP	20HP	20HP	20HP	20HP	30HP	30HP	40HP	40HP	40HP	40HP	50HP	50HP	60HP
95	133	40-85	40-85	40-85	50-85	50-85	50-95	65-65	65-65	65-65	80-55	80-65	80-65	100H-45	100H-45	100L-45	100LH-45	125-35
	62	15HP	15HP	15HP	20HP	20HP	20HP	20HP	20HP	25HP	25HP	30HP	30HP	30HP	40HP	40HP	40HP	60HP
90	126	40-75	40-75	40-85	50-85	50-85	50-85	65-65	65-65	65-65	80-55	80-55	80-65	100H-45	100H-45	100L-45	100L-45	125-35
	59	10HP	10HP	15HP	20HP	20HP	20HP	20HP	20HP	20HP	25HP	30HP	30HP	30HP	40HP	40HP	40HP	60HP
85	119	40-75	40-75	40-75	50-75	50-75	50-85	65-55	65-65	65-65	80-55	80-55	80-55	100H-45	100H-45	100L-45	100L-45	125-35
	55	10HP	10HP	10HP	15HP	15HP	20HP	20HP	20HP	20HP	25HP	30HP	30HP	30HP	40HP	40HP	40HP	60HP
80	112	40-65	40-75	40-75	50-75	50-75	50-75	65-55	65-55	65-55	80-55	80-55	80-55	100-35	100-35	100L-35	100L-35	125-35
	52	10HP	10HP	10HP	15HP	15HP	15HP	20HP	20HP	20HP	25HP	25HP	25HP	40HP	40HP	40HP	40HP	50HP
75	105	40-65	40-65	40-65	50-65	50-75	50-75	65-55	65-55	65-55	80-55	80-55	80-55	100-35	100-35	100L-35	100L-35	125-35
	49	10HP	10HP	10HP	15HP	15HP	15HP	20HP	20HP	20HP	20HP	25HP	25HP	30HP	30HP	40HP	40HP	50HP
70	98	40-65	40-65	40-65	50-65	50-65	50-75	65-55	65-55	65-55	80-45	80-45	80-45	100-35	100-35	100L-35	100L-35	125-35
	46	10HP	10HP	10HP	15HP	15HP	15HP	20HP	20HP	20HP	20HP	20HP	25HP	30HP	30HP	30HP	40HP	50HP
65	91	40-55	40-55	40-65	50-65	50-65	50-65	65-45	65-45	65-45	80-45	80-45	80-45	100-35	100-35	100L-35	100L-35	125-25
	42	7.5HP	7.5HP	10HP	15HP	15HP	15HP	15HP	15HP	15HP	20HP	20HP	20HP	25HP	25HP	25HP	30HP	40HP
60	84	40-55	40-55	40-55	50-55	50-55	50-65	65-45	65-45	65-45	80-45	80-45	80-45	100-35	100-35	100L-35	100L-35	125-25
	39	7.5HP	7.5HP	7.5HP	10HP	10HP	15HP	15HP	15HP	15HP	20HP	20HP	20HP	25HP	25HP	25HP	25HP	40HP
55	77	40-55	40-55	40-55	50-55	50-55	50-55	65-45	65-45	65-45	80-35	80-35	80-45	100-25	100-25	100L-25	100L-35	125-25
	36	7.5HP	7.5HP	7.5HP	10HP	10HP	15HP	15HP	15HP	15HP	15HP	20HP	20HP	20HP	20HP	20HP	25HP	40HP
50	70	40-45	40-45	40-45	50-45	50-55	50-55	65-35	65-35	65-45	80-35	80-35	80-35	100-25	100-25	100L-25	100L-25	125-25
	33	7.5HP	7.5HP	7.5HP	10HP	10HP	10HP	10HP	10HP	15HP	15HP	15HP	15HP	20HP	20HP	20HP	20HP	30HP
45	63	40-45	40-45	40-45	50-45	50-45	50-45	65-35	65-35	65-35	80-35	80-35	80-35	100-25	100-25	100L-25	100L-25	125-25
	29	7.5HP	7.5HP	7.5HP	10HP	10HP	10HP	10HP	10HP	15HP	15HP	15HP	15HP	20HP	20HP	20HP	20HP	30HP
40	56	40-35	40-45	40-45	50-45	50-45	50-45	65-35	65-35	65-35	80-35	80-35	80-35	100-25	100-25	100L-25	100L-25	125-25
	26	5HP	5HP	7.5HP	7.5HP	7.5HP	7.5HP	10HP	10HP	10HP	10HP	15HP	15HP	15HP	15HP	15HP	15HP	30HP
35	49	40-35	40-35	40-35	50-35	50-35	50-35	65-35	65-35	65-35	80-25	80-25	80-25	100-25	100-25	100L-25	100L-25	125-25
	23	5HP	5HP	5HP	7.5HP	7.5HP	7.5HP	10HP	10HP	10HP	10HP	15HP	15HP	15HP	15HP	15HP	15HP	30HP
H Q	100%	0.13	0.15	0.2	0.26	0.3	0.35	0.4	0.45	0.5	0.6	0.7	0.75	0.8	0.9	1	1.2	1.4
150%	150%	0.195	0.225	0.3	0.39	0.45	0.525	0.6	0.675	0.75	0.9	1.05	1.125	1.2	1.35	1.5	1.8	2.1

※ SELECTION TABLE 보는 방법

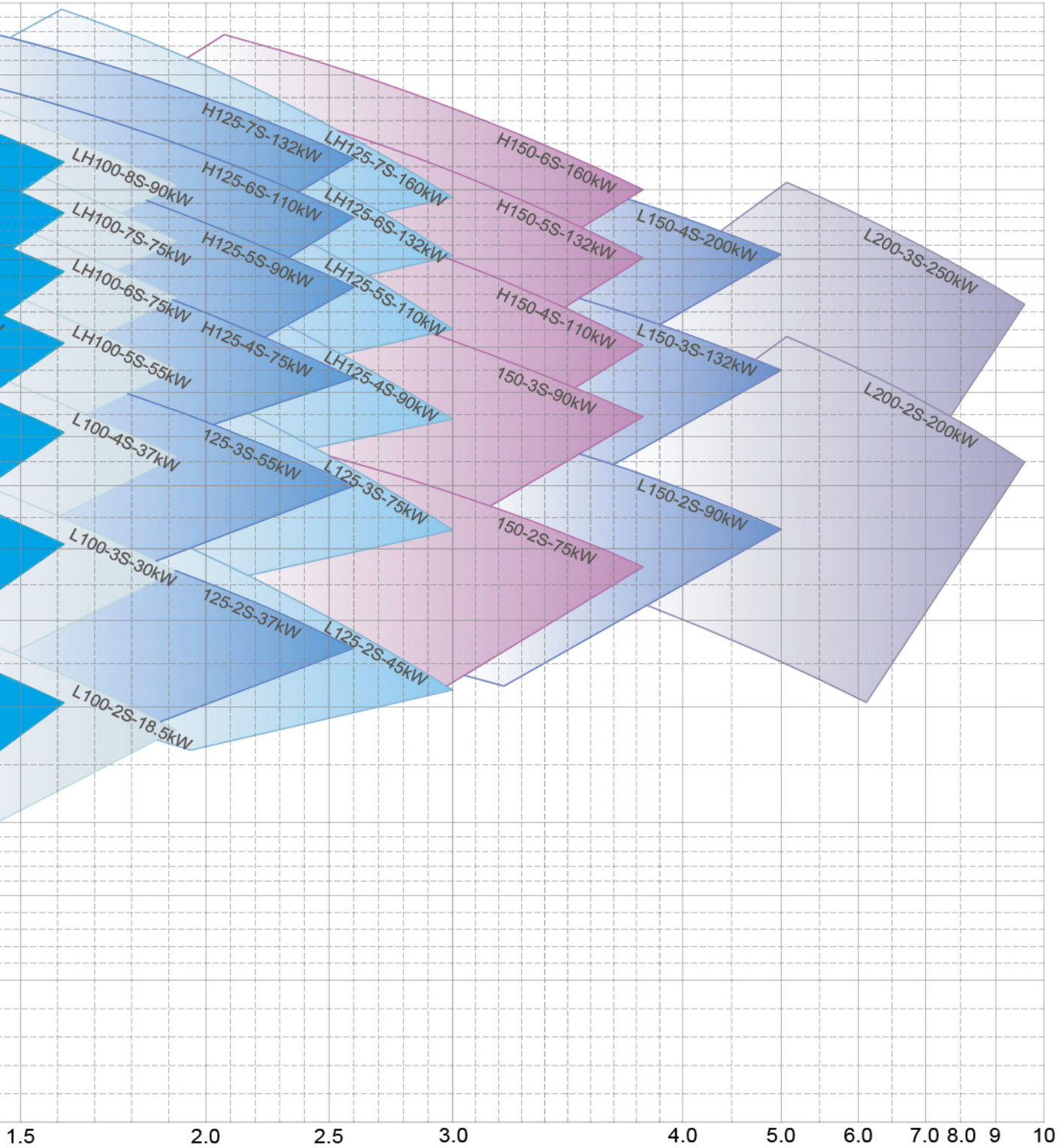
1. Q는 유량(m/min)이며, H는 양정(m)입니다.
2. 양정의 상단은 정격양정의 140% 하단은 65% 입니다.

3. IMPELLER 및 CASING의 재질이 회주철이나 청동이 아닌 특수재질의 경우는 별도의 문의 바랍니다.



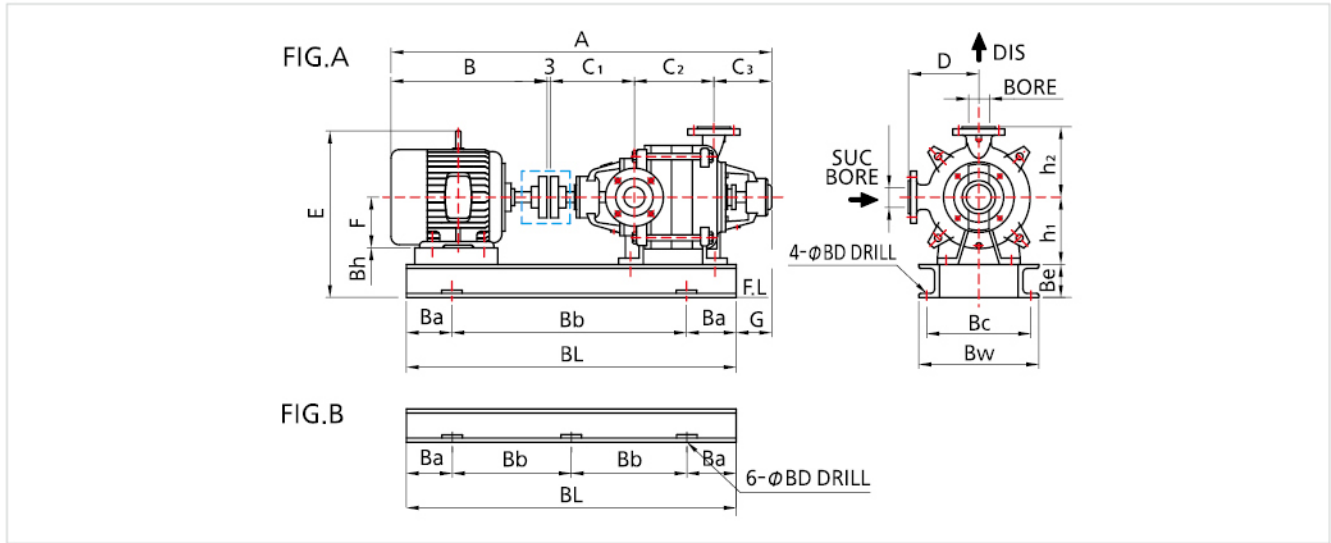
60Hz

1750RPM



Capacity[m³/min]

다단터빈 펌프 외형치수도



제품명	단수 (S)	FIG	모터 (kw)	PUMP & MOTOR DIMENSIONS (mm)										COMMON BED 치수 (mm)						WEIGHT(kg)														
				A	B	C ₁	C ₂	C ₃	D	E	F	G	h ₁	h ₂	Ba	Bb	BL	Bw	Bc	Be	Bh	BD	PUMP	BED	MOTOR									
DMT-40&50	2	A	2.2	954	381	247	156	167	185	383	100	135	160	185	120	520	760	280	240	75	135	19	64	15	24									
		A	3.7	956	383				185	402	112				120	520	760	280	240	75	123			17	56									
		A	5.5	1023	450				185	422	132				120	560	800	280	240	75	103			16	24									
	3	A	2.2	1009	381	247	211	167	185	383	100	135	160	185	120	620	860	280	240	75	135	19	76	16	39									
		A	3.7	1011	383				185	402	112				120	620	860	280	240	75	123			18	39									
		A	5.5	1078	450				185	422	132				120	660	900	280	240	75	103			19	56									
	4	A	3.7	1066	383	247	266	167	185	402	112	135	160	185	120	710	950	280	240	75	123	19	88	18	39									
		A	5.5	1133	450				185	422	132				120	710	950	280	240	75	103			19	56									
		A	7.5	1171	488				185	422	132				120	710	950	280	240	75	103			19	70									
	5	A	5.5	1188	450	247	321	167	185	422	132	135	160	185	120	760	1000	280	240	75	103	19	100	20	56									
		A	7.5	1226	488				185	422	132				120	760	1000	280	240	75	103			20	70									
		A	11	1333	595				185	459	160				120	860	1100	280	330	100	100			31	109									
		A	5.5	1243	488				185	447	132				120	820	1060	280	240	75	103			21	66									
		6	A	7.5	1281				595	247	376				167	185	447	132	135	160	185			120	820	1060	280	240	75	103	19	112	21	70
			A	11	1388				639							185	484	160						120	940	1180	380	330	100	100			33	109
	7	A	7.5	1336	488	247	431	167	185	447	132	135	160	185	120	880	1120	280	280	100	128	19	124	30	70									
		A	11	1443	595				185	484	160				120	990	1230	280	330	100	100			34	109									
		A	15	1487	639				185	484	160				120	990	1230	380	330	100	100			34	136									
	8	A	7.5	1397	595	247	486	167	185	447	132	135	160	185	120	935	1175	330	280	100	128	19	136	29	70									
		A	11	1498	639				185	484	160				120	1090	1330	380	330	100	100			37	109									
		A	15	1542	678				185	484	160				120	1090	1330	380	330	100	100			37	136									
	9	A	11	1553	595	247	541	167	185	484	160	135	160	185	120	1140	1380	380	330	100	100	19	148	38	109									
		A	15	1597	639				185	484	160				120	1140	1380	380	330	100	100			38	136									
		A	19	1636	678				185	502	180		120	1140	1380	400	350	100	100	41	161													
A		11	1608	383	185				484	160	120		1190	1430	380	330	100	100	38	109														
10	A	15	1652	450	247	596	167	185	484	160	135	160	185	120	1190	1430	380	330	100	100	19	160	38	136										
	A	19	1691	488				185	502	180				120	1190	1430	400	350	100	100			43	161										
	A	7.5	1005	450				205	422	112		120	640	880	340	300	75	143	18	39														
DMT-65	2	A	5.5	1082	488	265	178	176	205	442	132	140	180	205	120	640	880	340	300	75	123	19	89	18	56									
		A	7.5	1110	595				205	442	132				120	640	880	340	300	75	123			18	70									
		A	5.5	1134	488				205	442	132				120	700	940	340	300	75	123			19	56									
	3	A	7.5	1172	595	265	240	176	205	442	132	140	180	205	120	700	940	340	300	75	123	19	104	19	70									
		A	11	1279	639				205	504	160				120	800	1040	400	350	75	120			37	109									
		A	7.5	1234	488				205	467	132				120	760	1000	400	350	100	148			30	70									
	4	A	11	1341	595	265	302	176	205	504	160	140	180	205	120	910	1150	400	350	100	120	19	119	40	109									
		A	15	1385	639				205	504	160				120	910	1150	400	350	100	120			40	136									
		A	7.5	1296	595				205	467	132				120	820	1060	400	350	100	148			31	70									
	5	A	11	1403	639	265	364	176	205	504	160	140	180	205	120	980	1220	400	350	100	120	19	134	41	106									
		A	15	1447	678				205	504	160				120	980	1220	400	350	100	120			41	136									
		A	11	1465	639				205	504	160				120	1040	1280	400	350	100	120			42	109									
	6	A	15	1509	678	265	426	176	205	504	160	140	180	205	120	1040	1280	400	350	100	120	19	149	42	136									
		A	19	1548	678				205	522	180				120	1090	1330	400	350	100	100			36	161									
		A	15	1571	639				205	504	160				120	1110	1350	400	350	100	120			44	136									
	7	A	19	1610	678	265	488	176	205	522	180	140	180	205	120	1150	1390	400	350	100	100	19	163	39	161									
		A	22	1610	678				205	522	180				120	1150	1390	400	350	100	100			39	161									
		A	15	1633	639				205	504	160				120	1170	1410	400	350	100	120			45	136									
	8	A	19	1672	678	265	550	176	205	522	180	140	180	205	120	1210	1450	400	350	100	100	19	178	40	161									
		A	22	1672	678				205	522	180				120	1210	1450	400	350	100	100			40	161									

제품명	단수 (S)	FIG	모터 (kw)	PUMP & MOTOR DIMENSIONS (mm)										COMMON BED 치수 (mm)								WEIGHT(kg)						
				A	B	C ₁	C ₂	C ₃	D	E	F	G	h ₁	h ₂	Ba	Bb	BL	Bw	Bc	Be	Bh	BD	PUMP	BED	MOTOR			
DMT-80	2	A	5.5	1103	450																				19	56		
		A	7.5	1141	488	276	199	175	220	442	132	130	180	220	120	700	940	340	300	75	123	19	99	19	70			
		A	11	1248	595				220	504	160				120	800	1040	400	350	75	120				38	109		
	3	A	7.5	1210	488																					29	70	
		A	11	1317	595	276	268	175	220	504	160	130	180	220	120	870	1110	400	350	100	120	19	120	39	109			
		A	15	1361	639				220	504	160				120	870	1110	400	350	100	120			39	136			
	4	A	11	1386	595																					41	109	
		A	15	1430	693	276	337	175	220	504	160	130	180	220	120	980	1220	400	350	100	120	19	141	41	136			
		A	19	1469	678				220	522	180				120	980	1220	400	350	100	100			34	161			
	5	A	15	1499	639																					43	136	
		A	19	1538	678	276	406	175	220	522	180	130	180	220	120	1080	1320	400	350	100	100	19	162	36	161			
		A	22	1538	678				220	522	180				120	1080	1320	400	350	100	100			36	161			
	6	A	19	1607	678																					37	161	
		A	22	1607	678	276	475	175	220	522	180	130	180	220	120	1130	1370	400	350	100	100	19	183	37	161			
		A	30	1645	716				220	518	180				120	1130	1370	400	350	100	100			37	182			
7	A	22	1676	678																					38	161		
	A	30	1714	716	276	544	175	220	522	180	130	180	220	120	1180	1420	400	350	100	100	19	204	38	182				
	A	37	1799	801				220	547	200				120	1280	1520	400	350	100	100			48	282				
DMT & DMTL -100	2	A	11	1295	595																					31	109	
		A	15	1339	639	294	207	196	250	539	160	145	215	250	120	870	1110	400	350	100	150	19	138	31	136			
		A	19	1378	678				250	557	180				120	960	1200	400	350	100	125			32	161			
	3	A	19	1458	678																					33	161	
		A	22	1458	678	294	287	196	250	557	180	145	215	250	120	980	1220	400	350	100	125	19	165	33	161			
		A	30	1496	716				250	557	180				120	980	1220	400	350	100	125			33	182			
	4	A	22	1538	678																					43	161	
		A	30	1576	716	294	367	196	250	557	180	145	215	250	120	1060	1300	450	400	100	125	19	192	36	182			
		A	37	1661	801				250	582	200				120	1150	1390	450	400	100	125			50	282			
	5	A	30	1656	716																					39	182	
		A	37	1741	801	294	447	196	250	582	200	145	215	250	120	1220	1460	450	400	100	115	19	219	51	282			
		A	45	1741	801				250	582	200				120	1220	1460	450	400	100	115			51	282			
	DMTH & DMTLH -100	6	B	45	1821	807																					76	282
			B	55	1848	828			196	280	731	225	150		280	150	630	1560	520	460	125	125	23	246	64	345		
		7	B	55	1928	828																					66	345
B			75	2017	917	294	607	196	280	835	250	150	225	280	150	710	1720	570	510	125	125	23	273	86	490			
8		B	75	2097	917																						88	490
		B	90	2135	955	294	687	196	280	835	250	150	225	280	150	750	1800	570	510	125	125	23	300	88	550			
DMT & DMTL -125	2	A	22	1439	678																					49	161	
		A	30	1477	716	315	248	195	280	607	180	150	240	280	120	1000	1240	500	435	125	185	20	231	49	182			
		A	37	1562	801				280	632	200				120	1000	1240	500	435	125	165			59	282			
	3	A	37	1652	801																					62	282	
		A	45	1658	807	315	338	195	280	632	200	150	240	280	120	1130	1370	500	435	125	165	20	268	62	282			
		A	55	1679	828				280	756	225				120	1160	1400	520	455	125	140			68	345			
4	B	45	1748	807																					66	282		
	B	55	1769	828	315	428	195	280	731	225	150	240	280	120	1220	1460	520	455	125	140	20	305	60	345				
	B	75	1858	917				280	860	250				120	1320	1560	600	535	125	125			75	490				
DMTH & DMTLH -125	5	B	75	1948	917	315	518	195	310	838	250	150	250	310	120	710	1660	600	530	125	125	23	362	73	490			
		B	90	1986	955				310	838	250				120	710	1660	600	530	125	125			73	550			
	6	B	90	2076	955	315	608	195	310	838	250	150	280	310	150	725	1750	600	530	125	125	23	399	75	550			
7	B	110	2154	1033																					104	690		
	B	110	2244	1033	315	698	195	310	898	280	150	280	310	150	830	1960	650	580	125	125	23	436	107	690				
	B	132	2430	1219				310	898	280				150	875	2050	650	580	125	125			107	950				
DMT-150	2	A	45	1680	807																					74	282	
		A	55	1701	828	342	289	239	320	786	225	185	270	320	125	1100	1350	500	435	125	170	20	280	64	345			
		A	75	1790	917				320	890	250				125	1170	1420	500	435	125	145			71	490			
	3	B	55	1811	828																					69	345	
		B	75	1900	917	342	399	239	320	890	250	185	270	320	125	660	1570	500	435	125	145	20	342	80	490			
		B	90	1938	955				320	890	250				125	675	1600	550	435	125	145			80	550			
DMTH-150	4	B	110	2126	1033	342	509	239	340	833	280	150	280	340	150	740	1780	650	580	125	120	23	434	79	690			
	5	B	150	2422	1219	342	619	239	340	838	280	150	280	340	150	845	1990	650	580	125	125	23	496	89	950			
	6	B	200	2532	1219	342	729	239	340	838	280	150	280	340	150	900	2100	650	580	125	125	23	558	92	950			
DMTL-150	2	B	90	1908	955	415	263	275	350	910	250	185	290	350	150	635	1570	600	530	125								